

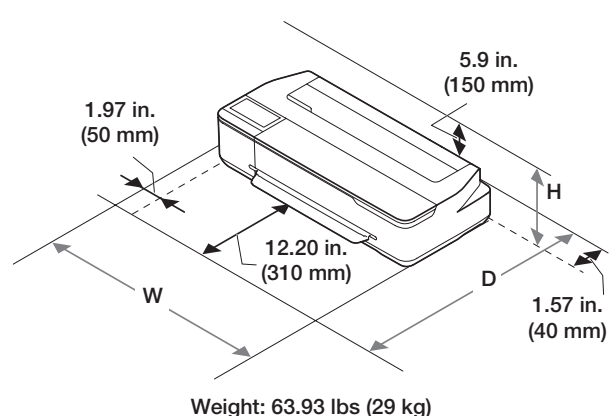
Start Here

IMPORTANT: Before using this product, make sure you read these instructions and the safety instructions in the online *User's Guide*.

Choose a Location for the Printer

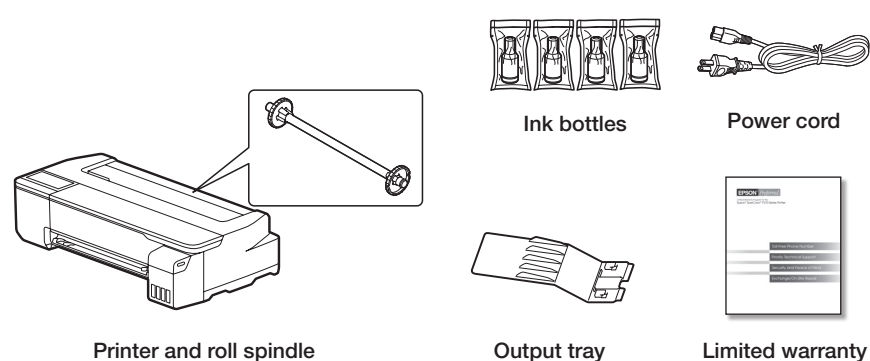
Choose a location for the printer that is near a wall outlet where the power cord can be easily unplugged. Avoid places subject to rapid changes in temperature and humidity. Also keep the printer away from direct sunlight, strong light, or heat sources.

Make sure to place the printer on a flat, stable surface with enough space on all sides (see illustration below). The surface supporting the printer should be wider than the space between the rubber feet on the bottom of the printer and capable of supporting the weights shown below.



Unpack

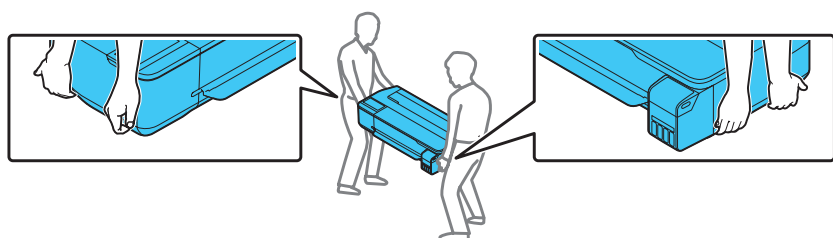
1 Make sure you have these items:



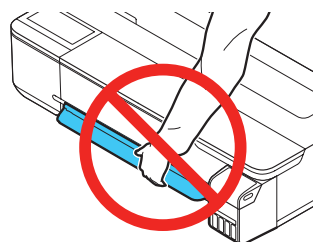
Note:

- See the online *User's Guide* for instructions on using the output tray and assembling the optional stand and paper basket.
- Do not open the ink bottles until you are ready to fill the ink tanks. The ink bottles are vacuum packed to maintain reliability.

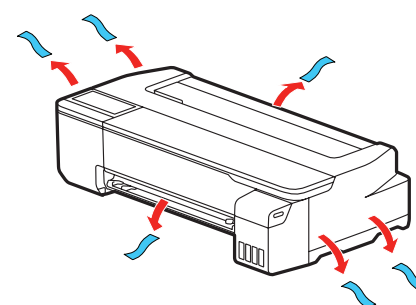
WARNING: The printer requires two people to lift and move it. Make sure to grip the printer as shown in the illustration.



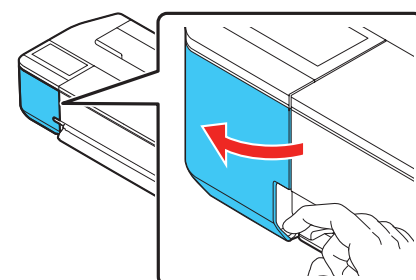
Caution: Do not hold the printer by its paper support.



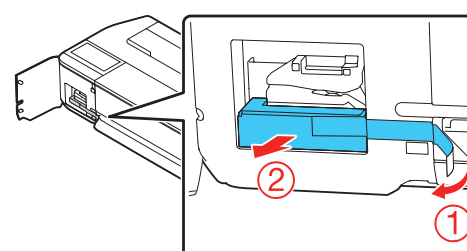
2 Remove the plastic sheet and all tape from the outside of the printer.



3 Open the left cover.

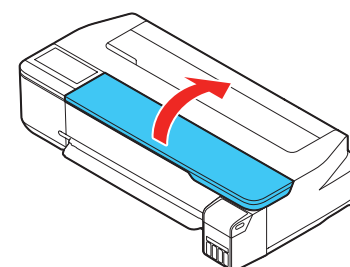


4 Remove the tape and the protective piece.

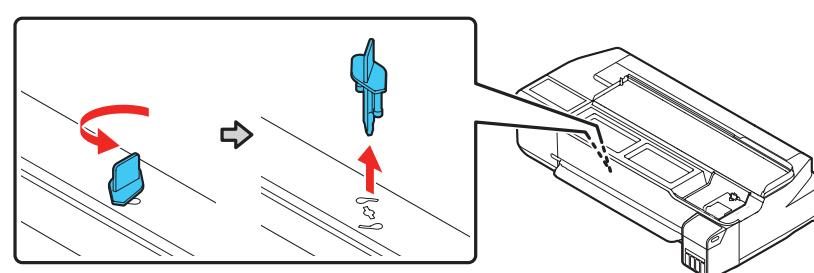


5 Close the left cover.

6 Open the front cover.

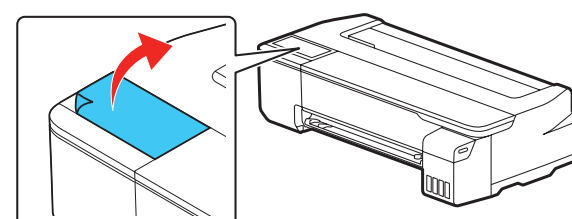


7 Turn and remove the protective piece.



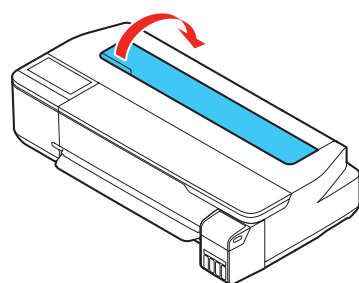
8 Close the front cover.

9 Remove the protective film from the control panel.

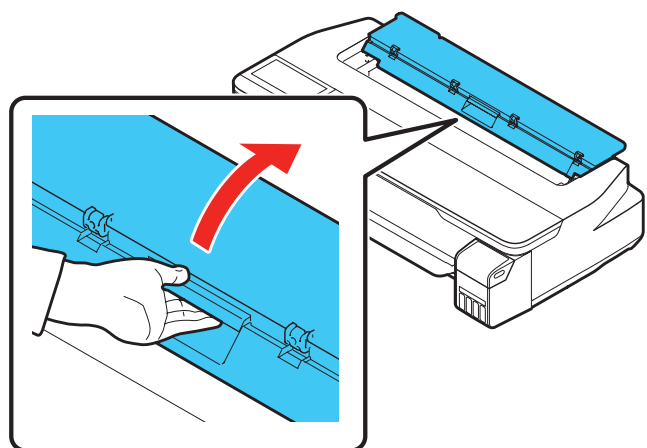


Note: The touch screen will not operate if you do not remove the protective film.

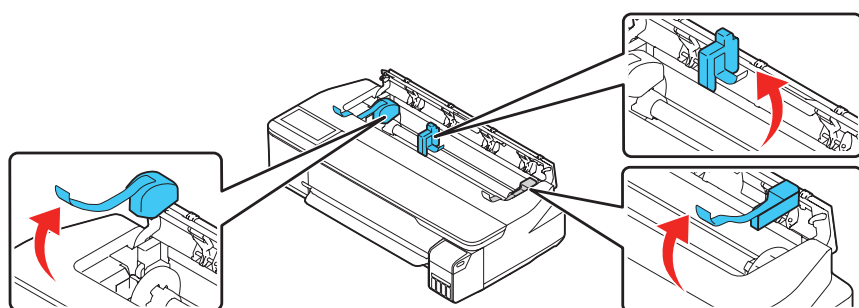
- 10 Open the cut sheet cover and remove the tape inside the printer.



- 11 Open and fold back the roll paper cover.



- 12 Remove the tape and the protective pieces.



- 13 Close the roll paper cover and the cut sheet cover.

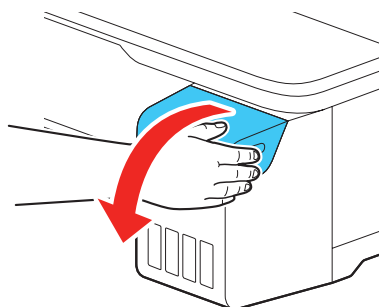
- 14 Dispose of all the tape and the protective pieces.

Fill Ink Tanks

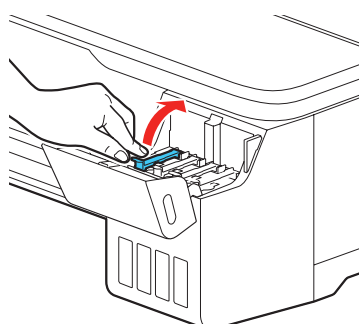
Note:

- Epson cannot guarantee the quality or reliability of third-party ink.
- Use the ink bottles included with the printer to set up the product. Part of the ink will be used to charge the print head. These bottles may print fewer pages compared with replacement ink bottles.

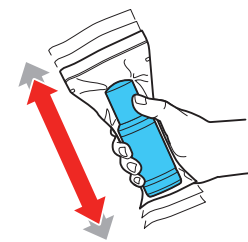
- 1 Open the ink tank cover.



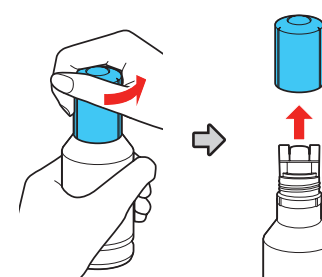
- 2 Open the cap for the black ink.



- 3 Gently shake the black (BK) ink bottle for about 5 seconds.

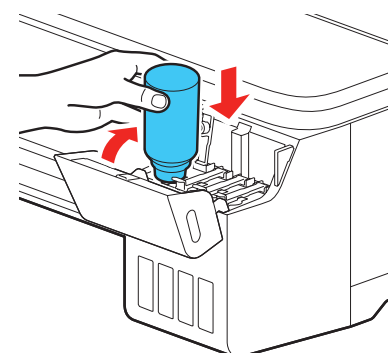


- 4 Unpack the black (BK) ink bottle. Hold the ink bottle upright and slowly turn the bottle cap to remove it.

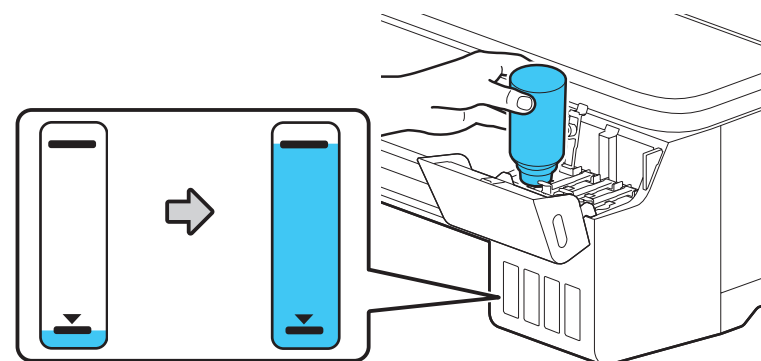


Caution: Do not squeeze the ink bottle. Do not touch the top of the ink bottle after its cap is removed.

- 5 Insert the ink bottle into the filling port, as shown below.



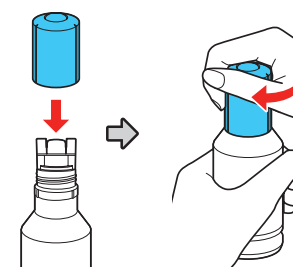
- 6 Wait for the ink to fill the tank. Do not squeeze the bottle. Ink flows into the tank and stops automatically when the ink tank is filled to the upper line.



Note: If ink does not flow from the bottle, lift and reinsert the bottle.

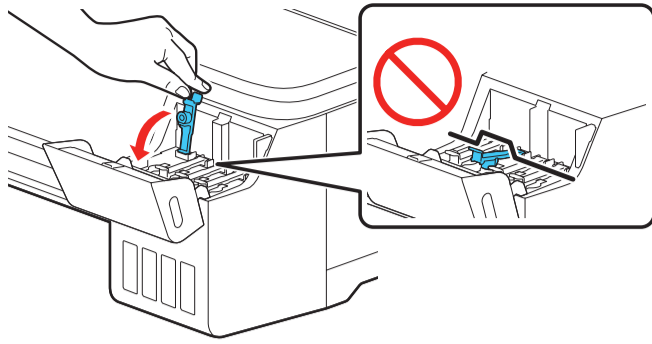
Caution: After setup, periodically inspect the ink level to ensure it is not below the lowest line on the tank. Prolonged use when ink is below the lowest line could damage the product. See the online *User's Guide* for refilling instructions.

- 7 When the ink tank is full, remove the ink bottle and replace the bottle cap. Place the remaining ink aside; you will need it later.



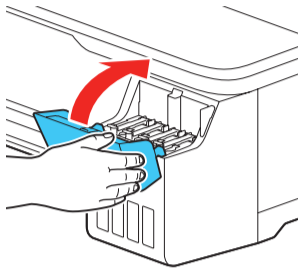
Note: Do not leave the ink bottle inserted; otherwise the bottle may be damaged or ink may leak.

- 8 Close the ink tank cap.

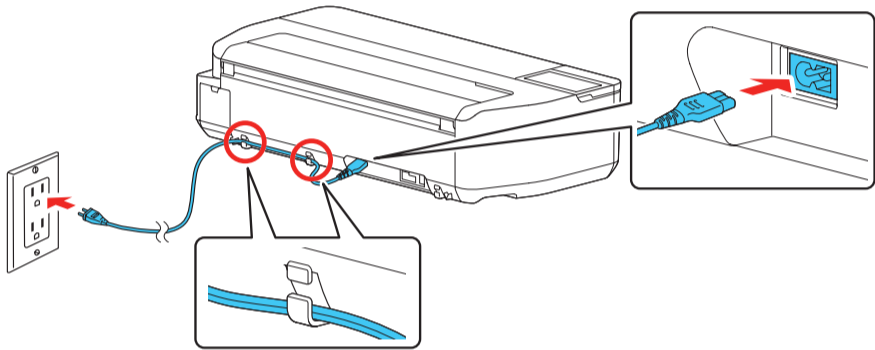



- 9 Repeat steps 2 through 8 for the other colors.

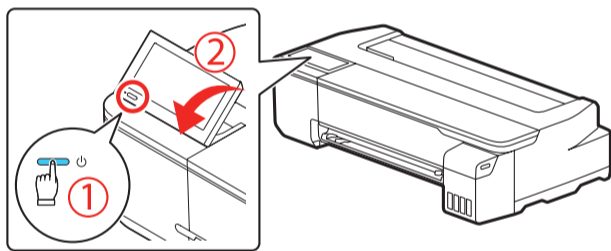
- 10 Close the ink tank cover.



- 11 Connect the power cord to the printer. Route the cord through the hooks on the back of the printer and plug the other end of the power cord into an outlet.




- 12 Press the  power button on the control panel to turn on the printer. Raise the control panel if necessary.



- 13 Select your language on the LCD screen.

- 14 When you see a message about removing protective parts, select **Done**.

- 15 Select the date and time.

- 16 When the message to see the *Start Here* sheet appears on the LCD screen, press and hold the  home button for 5 seconds.

- 17 When the ink confirmation message appears on the LCD screen, select **Start** to start charging the ink. Ink charging takes approximately 30 minutes.

Caution: Do not turn off or unplug the printer or perform any other operations during ink charging or you'll waste ink.

- 18 To complete filling the ink tanks, repeat steps 1 through 9 using the remaining ink in the bottles.

- 19 Close the ink tank cover.

- 20 Select **Proceed** and follow the on-screen instructions to reset the ink levels.

Note:

- You may need to replace the maintenance box soon after ink initialization. See the online *User's Guide* for instructions.
- See the online *User's Guide* for instructions on loading paper.

Install Software

Note: An internet connection is required to obtain the product software.

- 1 Download and run your product's software package:
U.S.: www.epson.com/support/f570
Canada: www.epson.ca/support/f570
- 2 Follow the instructions on the screen to run the setup program.
- 3 When you see the Select Your Connection screen, select one of the following:

- **Wireless connection**

In most cases, the software installer automatically attempts to set up your wireless connection. If setup is unsuccessful, you may need to enter your network name (SSID) and password.

- **Direct USB connection**

Make sure you have a USB 2.0 or 3.0 cable (not included).

Note: If you do not use a USB 2.0 or 3.0 cable, print speed and performance may decline.

- **Wired network connection**

Make sure you have an Ethernet cable (not included).

Product Support

User's Guide

Windows: Click the icon on your desktop or Apps screen to access the online *User's Guide*.

Mac: Click the icon in Applications/Epson Software/Guide to access the online *User's Guide*.

If you don't have a User's Guide icon, go to the Epson website, as described below.

Epson technical support

Visit www.epson.com/support/f570 (U.S.) or www.epson.ca/support/f570 (Canada) to download software and utilities, view manuals, get FAQs and troubleshooting advice, or contact Epson.

Epson provides technical support and information on the installation, configuration, and operation of professional printing products through the Epson PreferredSM Limited Warranty Plan. Dial (888) 377-6611, 6 AM to 6 PM, Pacific Time, Monday through Friday. Days and hours of support are subject to change without notice. Before you call, make sure you have your:

- Printer serial number: _____
- Proof of purchase and date: _____

Note: If you experience difficulty with the toll-free line, call (562) 276-1305.

Recycling

Epson offers a recycling program for end of life hardware and ink bottles. Please go to www.epson.com/recycle (U.S.) or www.epson.ca/recycle (Canada) for information on how to return your products for proper disposal.

Need Ink?

You can purchase ink from an Epson authorized reseller. To find the nearest reseller, call 800-GO-EPSON (800-463-7766).

Epson SureColor F570 replacement ink bottles

Color	140 ml
● Black	T49M1
● Cyan	T49M2
● Magenta	T49M3
● Yellow	T49M4



EPSON and SureColor are registered trademarks and EPSON Exceed Your Vision is a registered logomark of Seiko Epson Corporation.

Epson Preferred is a service mark of Epson America, Inc.

Windows is a registered trademark of Microsoft Corporation in the United States and/or other countries.

Mac is a trademark of Apple Inc., registered in the U.S. and other countries.

General Notice: Other product names used herein are for identification purposes only and may be trademarks of their respective owners. Epson disclaims any and all rights in those marks.

This information is subject to change without notice.

© 2019 Epson America, Inc., 8/19

Printed in U.S.A.

CPD-57977